

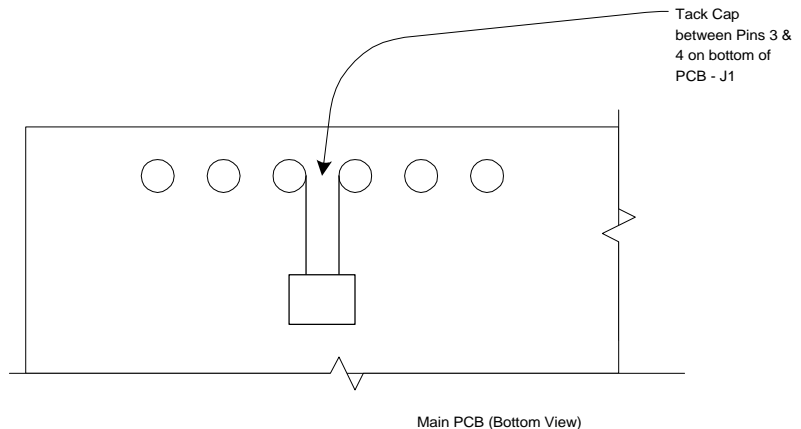
Screwdriver Antenna Memory Keeping RF out of the SAM

In some installations, there has been a need to have some extra RF protection in the SAM. Since every installation is different, you may see RF affect only one band. The first and foremost is to check your RF ground. I cannot stress how important this is. On my own installation, I had only 25W cause the SAM to act up but once I just removed and re-attached my coax at the antenna, the problem disappeared at full power. For additional protection, install a large clip-on ferrite choke on the yellow-orange and white pairs. Since these wires are going directly to the antenna, they are most suspect for carrying RF back. In addition, the installation of RF bypass caps can be installed directly to the rear connector of the SAM.

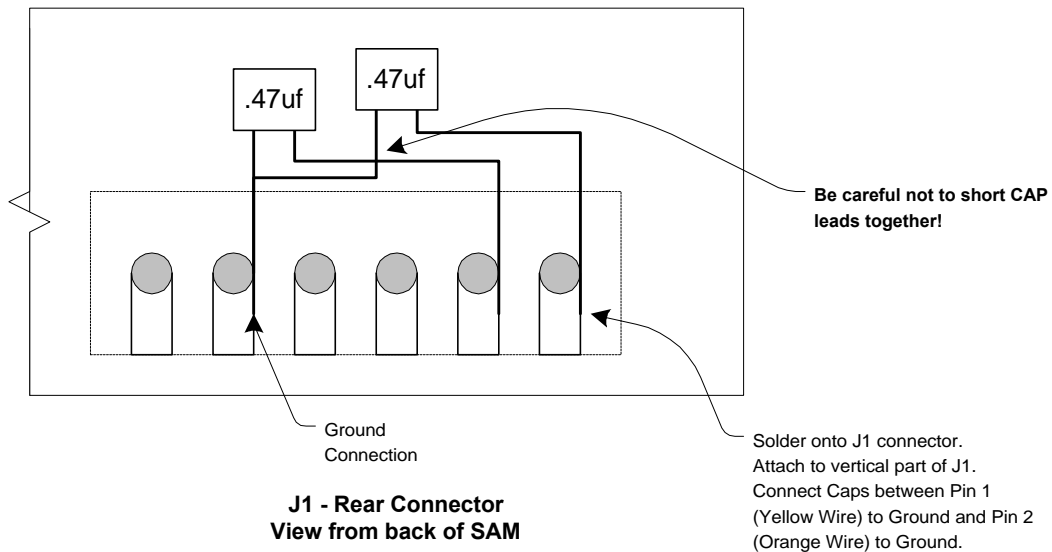
Installation of Bypass Caps

Use .47uf caps at >50V

Attach 1 on the bottom of the SAM between the two sensor wires. I do this by laying the cap flat on the back of the PCB. It's leads are just wide enough to touch the middle two pads on the (J1) rear connector pads on the PCB. That would be pins 3 and 4 on the rear connector.



As for the motor caps, I put 2 more caps (Same Value) soldered directly to the right angle pins coming up from the PCB. Put them between each motor connections to the ground pin.



If you need more help, let me know. Or, if you send me the unit I would be happy to install these. Or, if you have any questions you may call my voice mail at **1-888-83-KO6YD** or via email at **dane@ko6yd.com**.